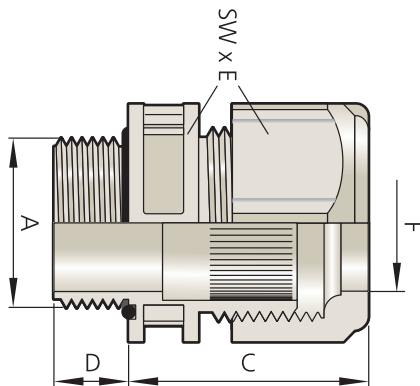


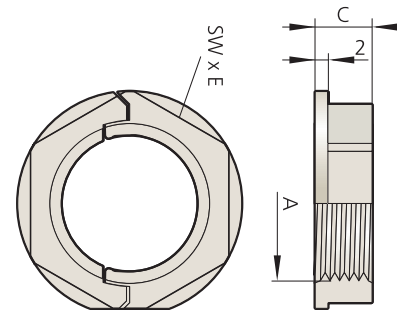
ITEM NO.	DESCRIPTION	QTY.
1	M25 Split Gland PC, IP67, EN 62444 Class A, Grey, -20°C / +80°C	1
2	M25 Split Nut, PC, Grey, -40°C / +100°C	1

Item Numbers 1 & 2 will be supplied to T3430, T3431, T3432, T3433 & T3434 as standard, please see the table below to find the insert that matches our part reference number

ITEM NO.	DESCRIPTION	QTY.	ATL PART REF
3	9.0 - 11.0 M25 insert, TPE-V, -40oC / +135oC	1	T3430
	11.0 - 13.0 M25 insert, TPE-V, -40oC / +135oC	1	T3431
	12.0 - 15.0 M25 insert, TPE-V, -40oC / +135oC	1	T3432
	14.0 - 18.0 M25 insert, TPE-V, -40oC / +135oC	1	T3433
	18.0 - 20.0 M25 insert, TPE-V, -40oC / +135oC	1	T3434





M25 Split Gland Dimensions	
Connection Thread (A)	M25x1,5
D (mm)	11.0
F (mm)	20.6
Mounting Height C (mm)	36.5
Spanner Width (SWxE)	36x40



M25 Split Nut Dimensions	
Connection Thread (A)	M25x1,5
Mounting Height (C) (mm)	4.5
Spanner Width (SWxE)	36x39.5

**PROPRIETARY AND CONFIDENTIAL**  
 THE INFORMATION CONTAINED IN THIS DRAWING IS THE SOLE PROPERTY OF ATL TRANSFORMERS LTD. ANY REPRODUCTION IN PART OR AS A WHOLE WITHOUT THE WRITTEN PERMISSION OF ATL TRANSFORMERS LTD IS PROHIBITED.

 <b>ATL TRANSFORMERS LTD</b> MIDDLETON, MANCHESTER M24 2HD TEL: 0161 653 0902		<b>UNLESS OTHERWISE SPECIFIED:</b> DIMENSIONS ARE IN MM TOLERANCES: FRACTIONAL ± 0.1mm ANGULAR: MACH ± 0 BEND ± 0 TWO PLACE DECIMAL ± 0 THREE PLACE DECIMAL ± 0	
1	FINAL	C.J.W.	07/10/19
0	DRAFT	E.F.	11/07/19
ISSUE	DESCRIPTION	DRAWN	DATE

Weight	
Material	
Finish	
 THIRD ANGLE PROJECTION	

NAME	DATE	TITLE:
DRAWN	E.F.	<b>M25 Cable Gland Assembly</b>
CHECKED	C.W.	
ENG APPR.	N.D.H.	
MFG APPR.		
Q.A.		

SIZE	Drawing. NO.	Issue
<b>A</b>	<b>D1738</b>	1
SCALE: 1:2		SHEET 1 OF 1